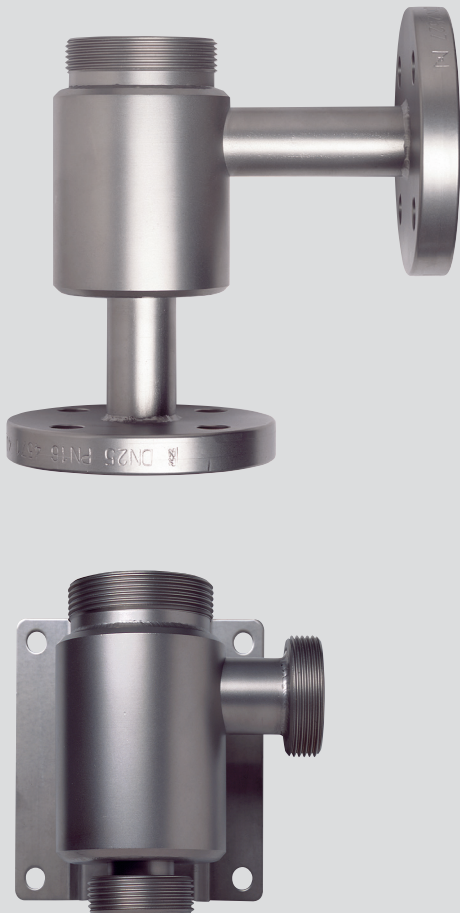


ARF 210 Flow-Through Fitting

Highly variable flow-through fitting made of stainless steel



Modular, versatile system design with different connection geometries and process connections. For measurements in main stream or bypass. Material: stainless steel, also for high temperatures/pressures. Adapter for a broad variety of sensors for pH, ORP, temperature, contacting and noncontacting conductivity, as well as dissolved oxygen. Its tightness makes it suitable for measurement of oxygen traces.

Protective cap with integrated electrolyte reservoir for refillable pH sensors with liquid filling. Simplified calibration for pH and conductivity due to special calibration beaker with correct consideration of fitting geometry and material. A large flow cross-section and integrated cleaning nozzles also make it suitable for polluted media.

Applications

Ultrapure water, drinking water, industrial water, and cooling water. Process media with higher temperature and pressure values. Measurement of oxygen traces

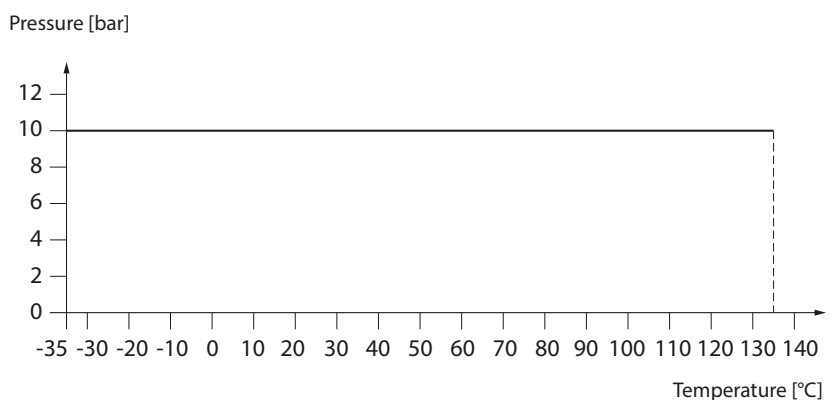
Facts

- modular system
- adaptable to virtually every process due to different
 - sensor adapters
 - process connections
- material: stainless steel, 1.4571
- measurement in main stream or bypass
- cleaning system

Specifications

Material:	1.4571
Process connection:	see product line
Pressure:	max. 10 bars
Temperature:	-35 ... 135 °C
Sensor adapter:	see product line

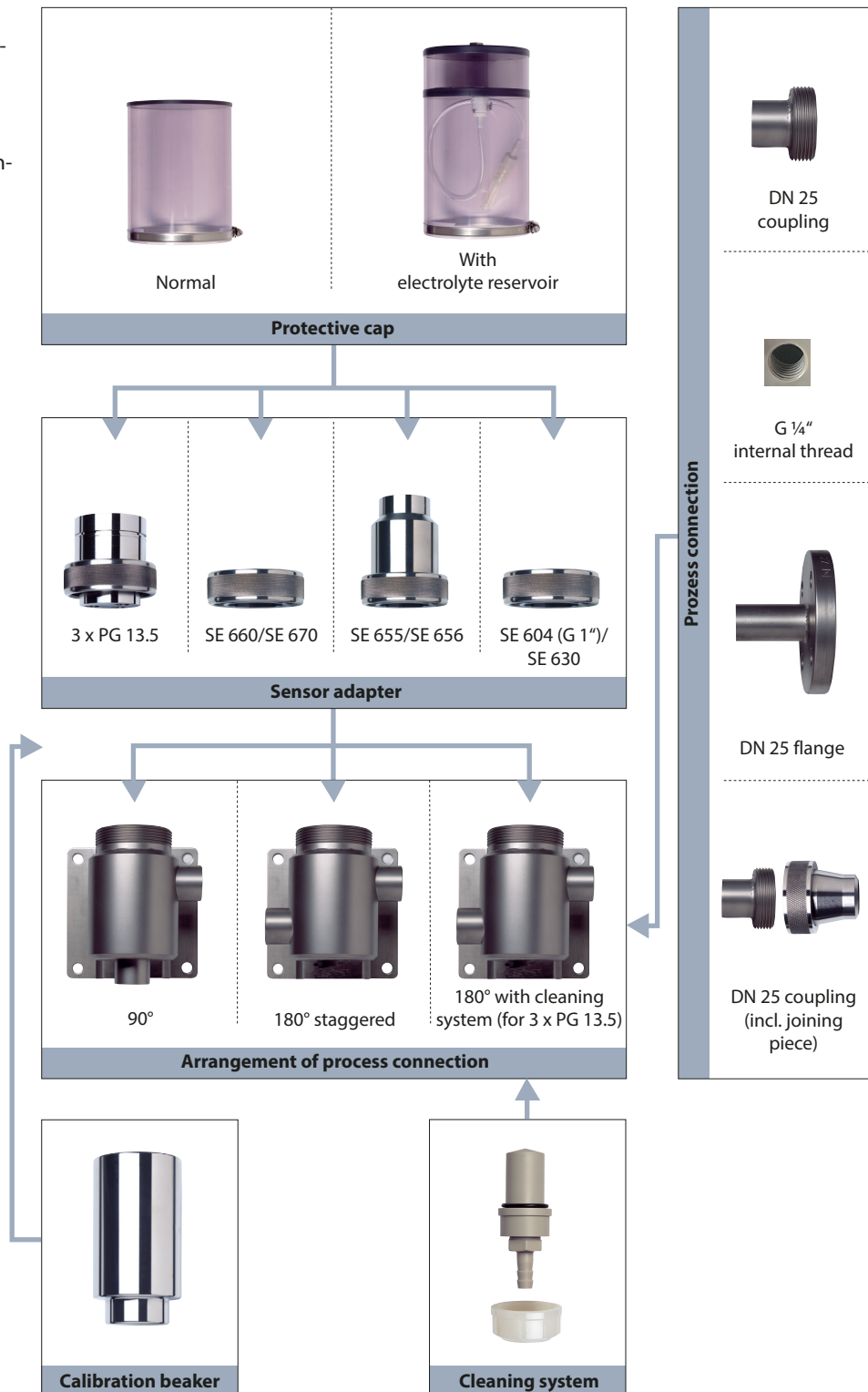
Pressure/Temperature Diagram



ARF 210 Flow-Through Fitting

Modular System

This flow-through fitting is available with 3 different process connections. Different protective caps, a calibration beaker, sensor adapters, process connections, and a cleaning system complete this modular system.



Product Line

Material: 1.4571

ARF 210 / 3

Sensor adapter	3 x PG 13.5	1					
	SE 660	3					
	SE 655(X) / SE 656(X)	4					
	SE 604 (G1), SE 605 (G1), SE 630 (G1)	7					
	SE 557 (liquid-filled, pressurizable sensor)	8			0		
	SE 670	E					
	SE 680	X					
Process connection and arrangement	Threaded coupling, DN 25, 90°		1	1			
	Threaded coupling, DN 25, 180° staggered*		1	2			
	Threaded coupling, DN 25, 180°, cleaning connection	1	1	3			
	G ¼, 90°		2	1			
	G ¼, 180° staggered*		2	2			
	G ¼, 180°, cleaning connection	1	2	3			
	Flange, DN 25, 90°		3	1			
	Flange, DN 25, 180° staggered*		3	2			
	Flange, DN 25, 180°, cleaning connection	1	3	3			
	Threaded coupling, DN 25 (incl. joining pieces), 90°		5	1			
	Threaded coupling, DN 25 (incl. joining pieces), 180° staggered*		5	2			
	Threaded coupling, DN 25 (incl. joining pieces), 180°, cleaning connection	1	5	3			
	Flange, ANSI 1" B16.5, 90°		A	1			
	Flange, ANSI 1" B16.5, 180° staggered*		A	2			
	Flange, ANSI 1" B16.5, 180°, with cleaning connection	1	A	3			
Protective cap	Without				0		
	Normal	1/4			1		
	With electrolyte reservoir	1			2		
Calibration beaker	Without					0	
	With					1	
Gasket material	EPDM						1
	FKM						2
	FFKM						3

* incl. drain plug

ARF 210 Flow-Through Fitting

Dimension Drawings

