

The Art of Measuring.



www: www.dp-flow.co.uk email: sales@dp-flow.co.uk

Proven Ceramat functionality
with up to 300 mm immersion depth.
Stainless steel, Hastelloy or titanium
housing and ceramic lock-gate sealing

CeraLong



CeraLong

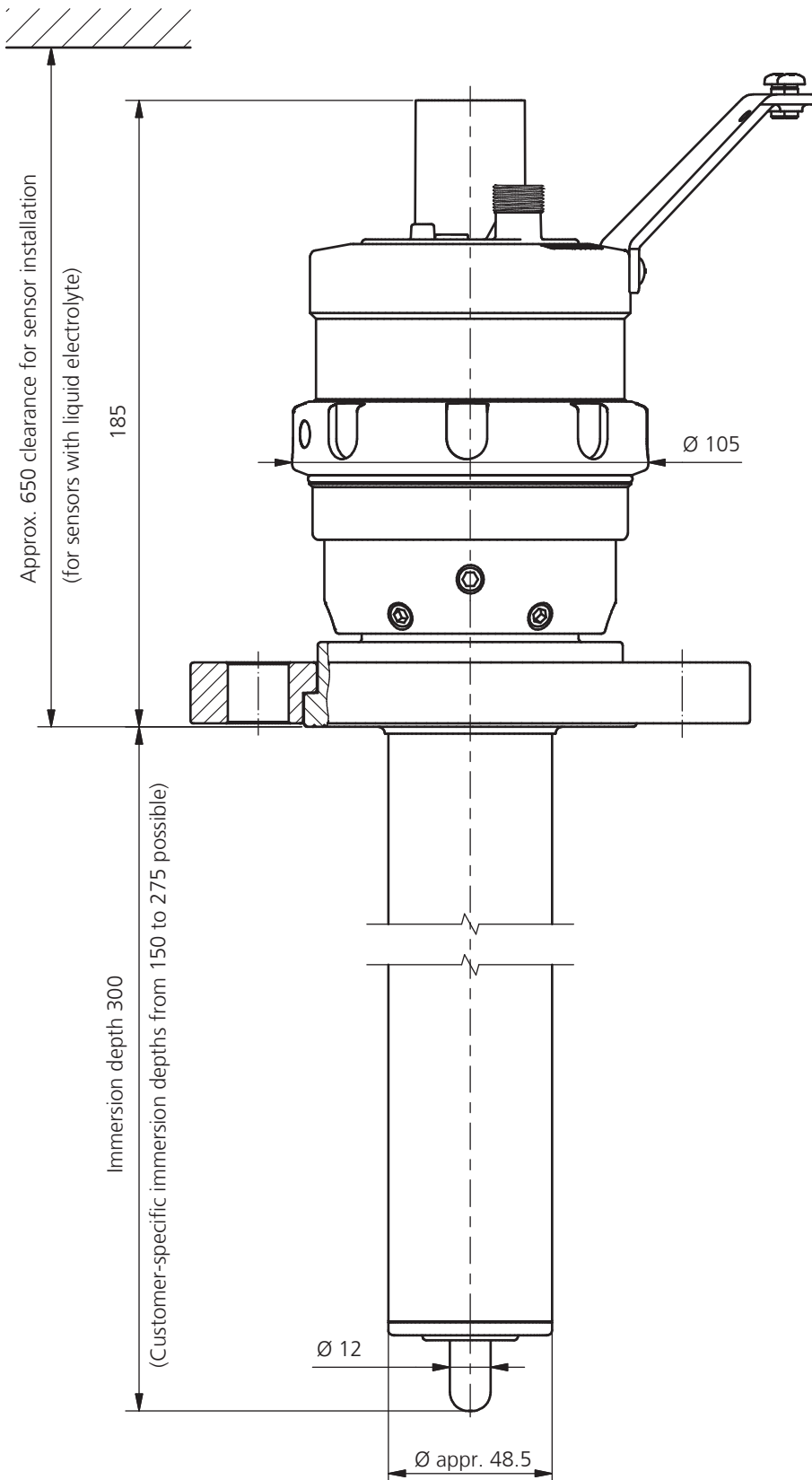
Immersion depth up to 300 mm



Ceramically sealed fitting for electro-chemical sensors (12 mm dia.) and optical sensors (12 mm or 12.7 mm dia.); also available in titanium and Hastelloy.

Facts

- Gaskets replaceable during the running process
- Usable with DN 50 and 2" or larger ANSI flanges
- Torsion protection for fiber-optic sensors
- Pressure-resistant up to 10 bar at 140 °C
- Safety pressure up to 40 bar at 140 °C

Dimension Drawing

All dimensions in mm.



Isolation Amplifiers / Transmitters

Indicators

Process Analytics

Portable Meters

Laboratory Meters

Sensors

Fittings

Knick

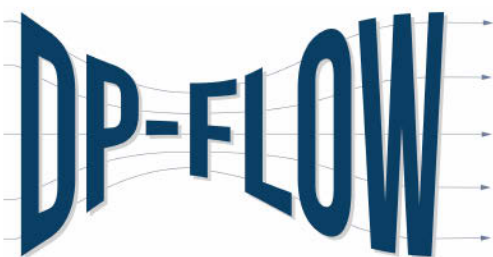
**Elektronische Messgeräte
GmbH & Co. KG**

Beuckestraße 22, 14163 Berlin,
Germany

Phone: +49 30 801 91 - 0

Telefax: +49 30 801 91 - 200

knick@knick.de · www.knick.de



www: www.dp-flow.co.uk email: sales@dp-flow.co.uk