

Sensors for Conductivity Measurement

Chem



SE 603 Conductivity Sensor

4-electrode sensor with large measuring range providing maximum corrosion resistance, sensor materials: PTFE and platinum

For special chemistry applications, universal measuring range from pure water to 600 mS/cm. With fixed cable and integrated temperature detector. Process-wetted materials: PTFE and platinum. Ultracompact design.

Facts

- High level of chemical resistance due to corrosion-proof materials
- Large measuring range due to 4-electrode technology
- Measurement at high temperatures and pressures
- Slim, ultracompact design

Applications

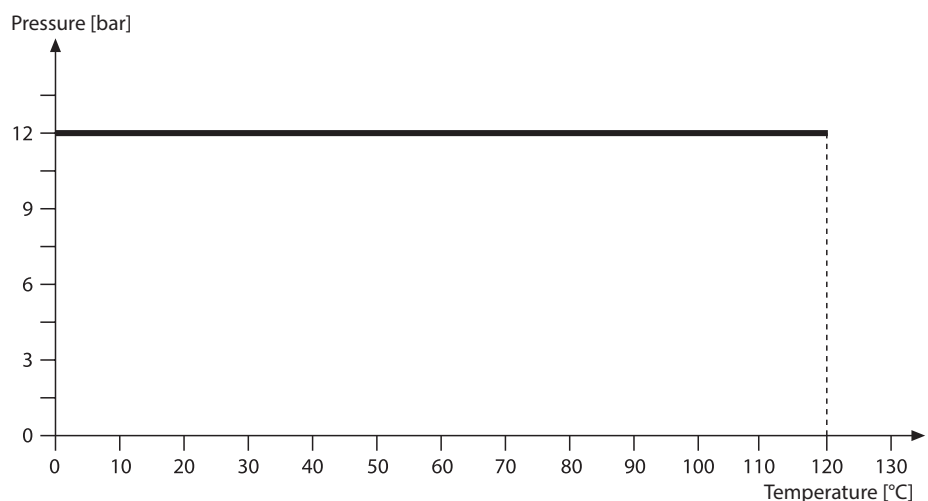
Measurement of pure water up to high conductivities. Highly corrosive chemical processes, bleaching liquors, oxidizing as well as heavily polluted (e.g. fibrous) materials, condenser leakage monitoring.

Specifications

Cell constant*):	0.14 cm ... 0.38 cm (exact value printed on rating plate)
Measuring range:	Approx. 0.5 μ S/cm ... 600 mS/cm
Material:	Body: PTFE Electrodes: Platinum
Temperature detector:	Pt 1000 (IEC Class A)
Temperature:	Max. 120 °C
Pressure:	Max. 12 bar
Process adaptation:	Special flange (see Accessories)
Cable:	Fixed cable, 5 m

*) Observe instructions for use (field conditions)

Pressure/Temperature Diagram



Product Range

SE 603 conductivity sensor

Order No.

SE 603

Accessories

Sealing washer

Flange

Conductivity standard KCl 0.1 mol/l 12.88 mS/cm ± 1.5 % 250 ml

Calibration Certificate

Order No.

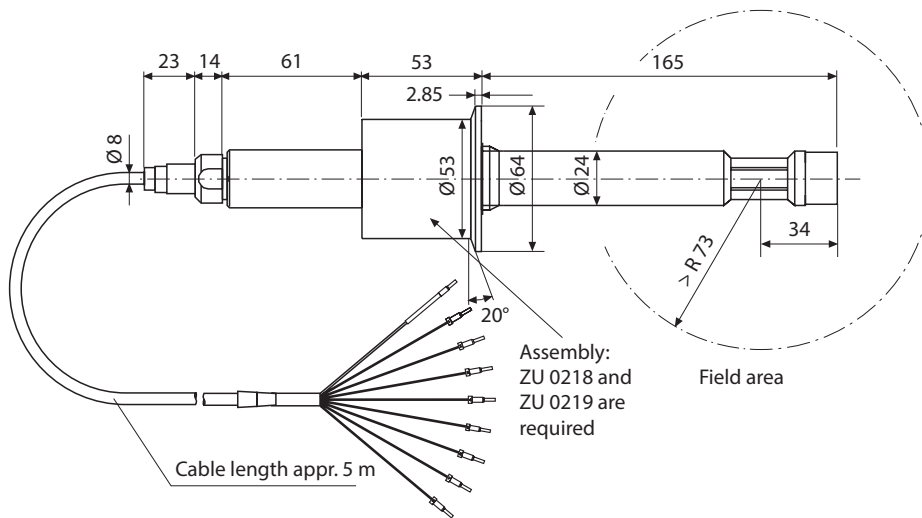
ZU 0218

ZU 0219

ZU 0348

ZU 0320

Dimension Drawing



Sensors for Conductivity Measurement

Chem

SE 603 Conductivity Sensor

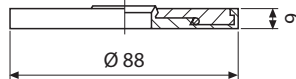
Accessories / Specifications

ZU 0218 sealing washer



Material: PTFE/AISI 316 L
Pressure: 10 bar
Temperature: 120 °C
For installation with ZU 0219.

Dimension drawing:

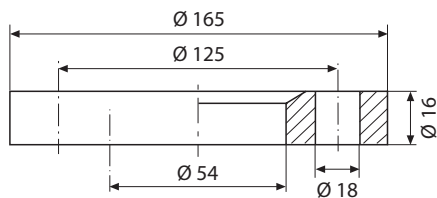


ZU 0219 flange



Material: AISI 316 L
Process connection: DN 50, PN 10; Ø 165 mm
Pressure: 10 bar
Temperature: 120 °C
For installation with ZU 0218.

Dimension drawing:

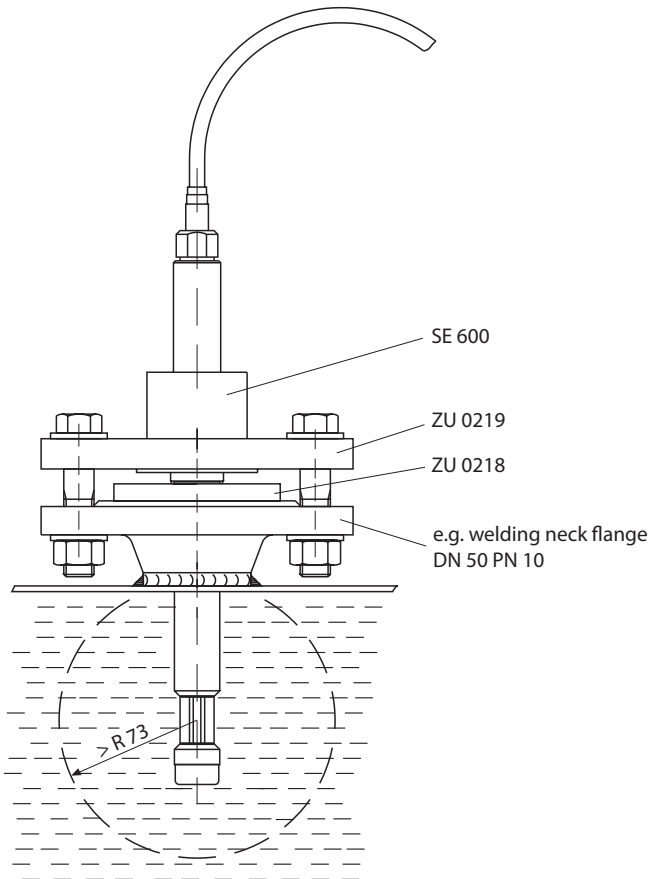


All dimensions in mm

For up-to-date information, please visit www.knick.de

Knick >

Typical Assembly



DP-FLOW

www: www.dp-flow.co.uk email: sales@dp-flow.co.uk

All dimensions in mm