

## ARF 200/ARF 202 Flow-Through Fitting

**Stainless-steel flow-through fitting with one sensor location**

Compact flow-through fitting for measurement preferably in bypass. An adapter allows connecting sensors using different mounting techniques. The fitting is made of stainless steel and can therefore be used for high pressures and temperatures. Process connections via cutting ring coupling (ARF 200) or female thread G 1/4" (ARF 202) or NPT 1" female thread (ARF 202/NPT).

### Applications

pH, conductivity and oxygen measurement in ultrapure water, slightly polluted water, cooling water, drinking water; trace-oxygen measurement in boiler feedwater

### Facts and Features

- Stainless steel 1.4571
- For sensors with G 1" or NPT 1" connection
- With adapter for sensors with PG 13.5 connection
- With adapter for fittings with G 1 1/4" Ingold socket
- Flow direction 90°
- Process connection via
  - cutting ring coupling (ARF 200) or
  - female G 1/4" thread (ARF 202)
  - NPT 1" female thread (ARF 202/NPT)

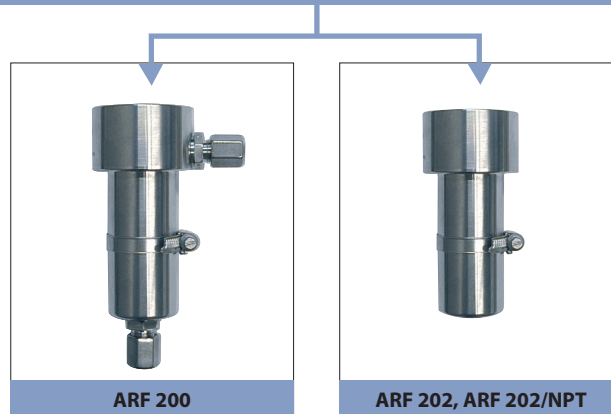
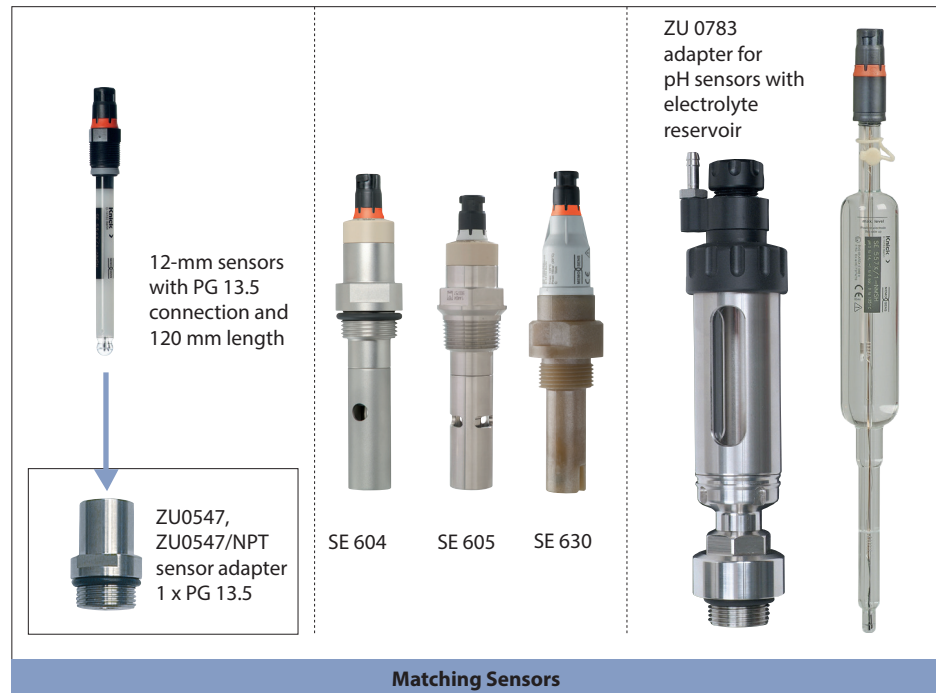
### Product Range

Fitting		Order No.
Flow-through fitting	G 1", 1.4571 steel, cutting ring coupling	<b>ARF 200</b>
	G 1", 1.4571 steel, G 1/4" female thread	<b>ARF 202</b>
	NPT 1", 1.4571 steel, NPT 1/4" female thread	<b>ARF 202/NPT</b>
		<b>Order No.</b>
Adapter	For 12-mm sensors with PG 13.5 Material: stainless steel 1.4571 Gasket (ZU 0547): EPDM 30 x 4 Connection: G 1" thread	<b>ZU 0547</b>
	For 12-mm sensors with PG 13.5 Material: stainless steel 1.4571 Gasket (ZU 0547): EPDM 30 x 4 Connection: NPT 1" thread	<b>ZU 0547/NPT</b>
	For 12-mm sensors with electrolyte reservoir, e.g., SE 557X/1 Material: stainless steel 1.4571 Gasket: FKM 30 x 4	<b>ZU 0783</b>

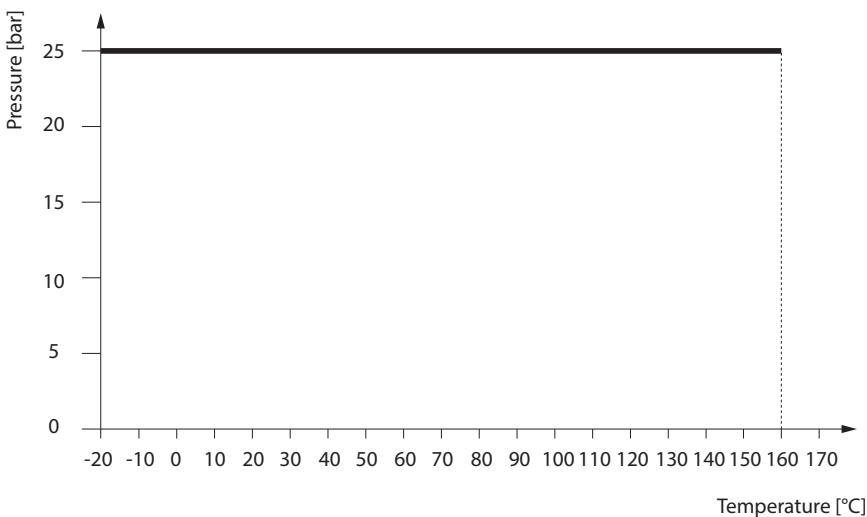
# ARF 200/ARF 202 Flow-Through Fitting

## Modular System

This flow-through fitting comes in 2 different versions. There are adapters for 12-mm sensors and fittings with Ingold socket.



## Pressure/Temperature Diagram



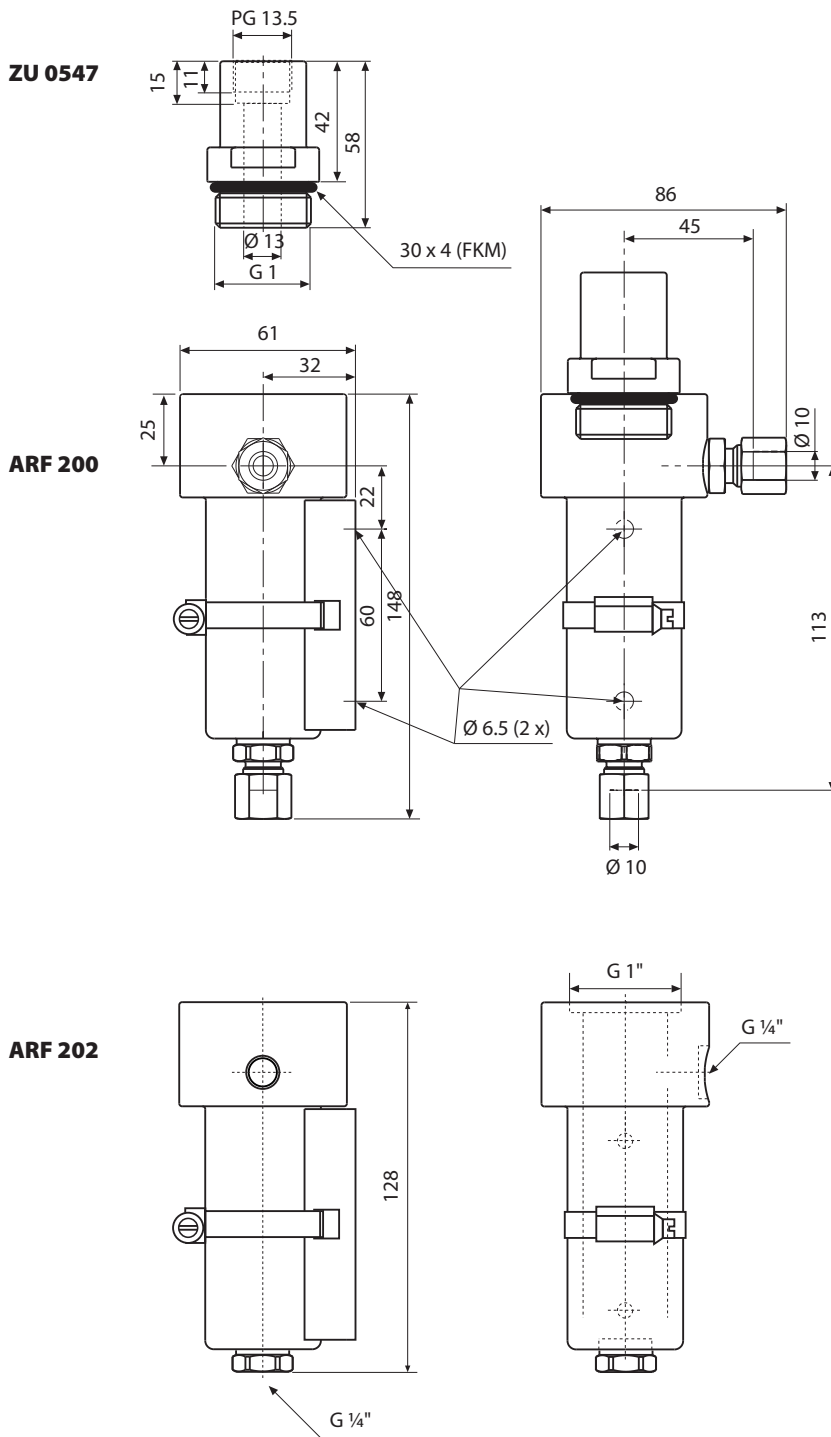
**Specifications**

---

Material:	Stainless steel 1.4571	
Pressure:	Max. 25 bar	
Temperature:	-20 ... 160 °C	
Process connection:	<b>ARF 200:</b>	Cutting ring coupling (Serto) for pipe 10 x 1 (gasket:FKM)
	<b>ARF 202:</b>	G ¼" female thread
	<b>ARF 202/NPT:</b>	NPT ¼" female thread
Sensor locations:	1 x G 1", 1 x PG 13.5 1 x G 1¼"	1 x NPT 1" With adapters ZU 0547, ZU 0547/NPT With adapters ZU 0667, ZU 0667/NPT
Sensors:	Cond: pH/Oxy:	SE 604, SE 605, SE 630 Diameter 12 mm, length 120 mm

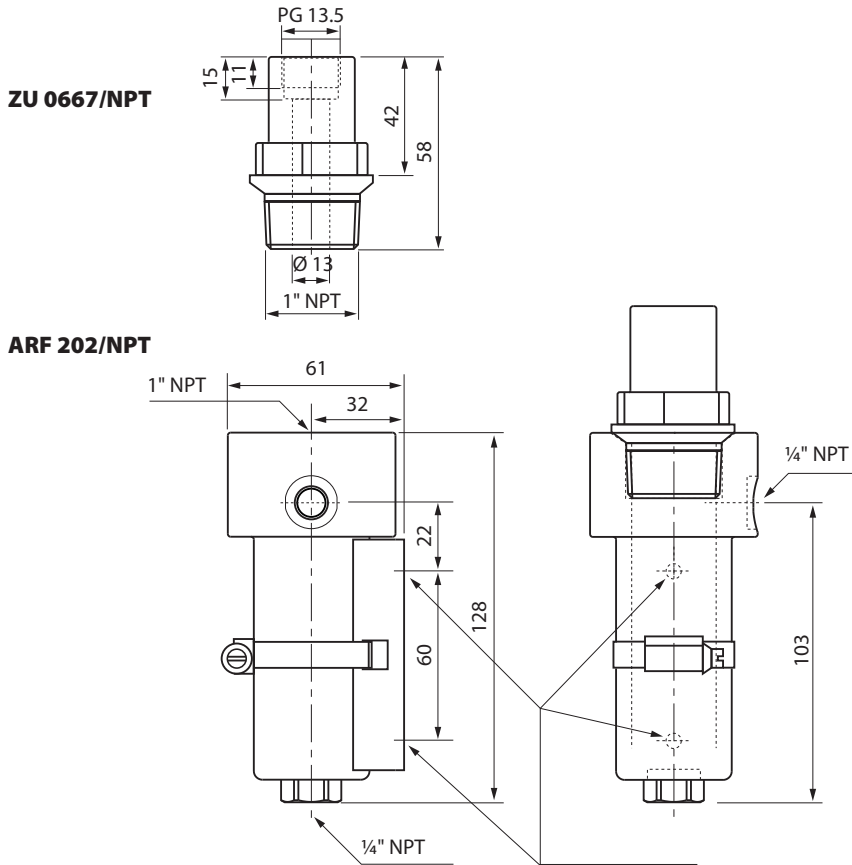
# ARF 200/ARF 202 Flow-Through Fitting

## Dimension Drawings



All dimensions in mm.

Dimension Drawings – Continued

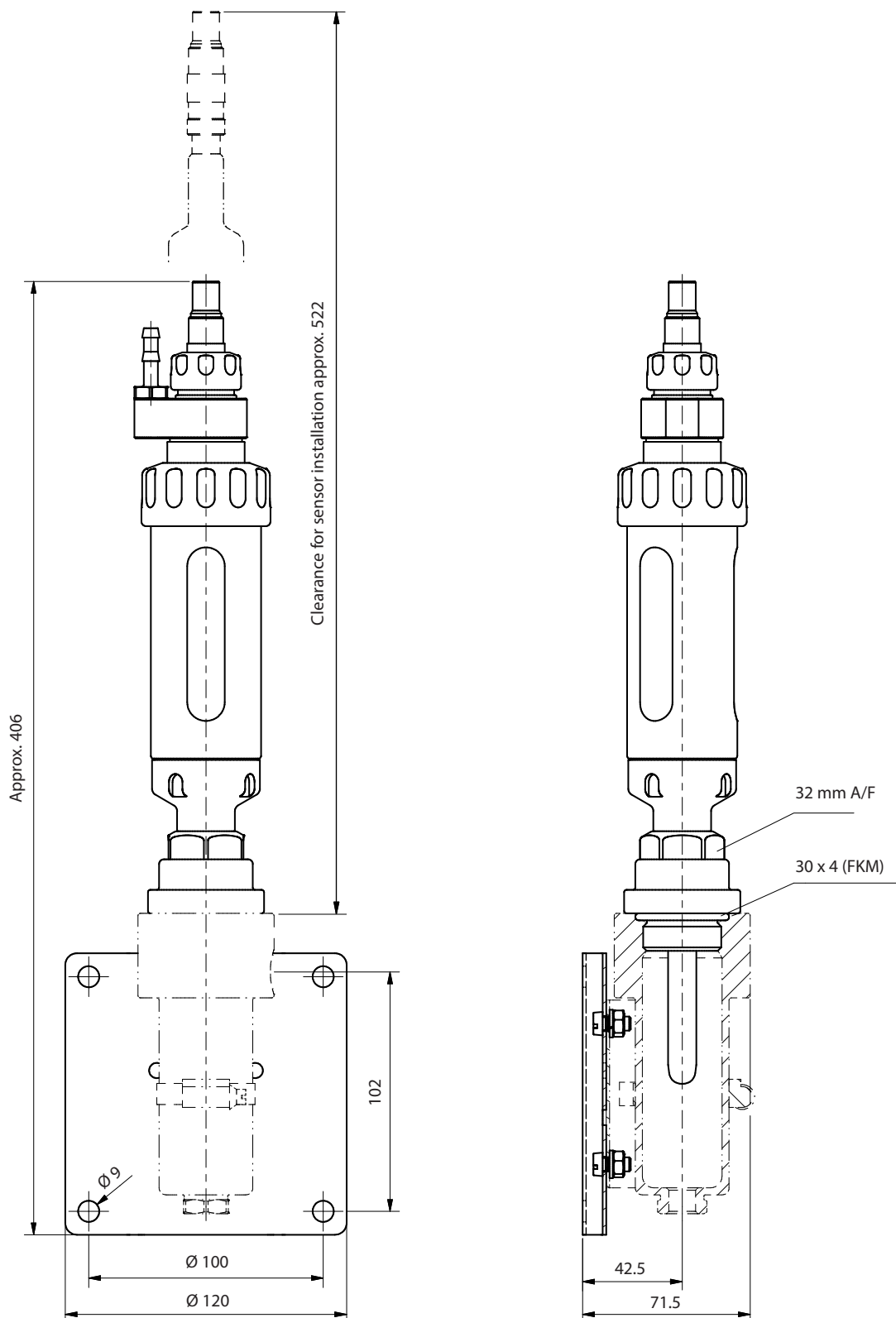


All dimensions in mm.

# ARF 200/ARF 202 Flow-Through Fitting

## Dimension Drawings – Continued

### Adapter for Sensors with Liquid Electrolyte (ZU 0783)



All dimensions in mm.