



SE 600 Conductivity Sensor

4-electrode sensor for high-pressure and high-temperature applications; large measuring range from pure water up to high conductivities

For special chemistry applications up to 210 °C and 25 bar. Universal measuring – range from pure water to 600 mS/cm. With fixed cable and integrated temperature – detector.
Process-wetted materials: stainless steel – and PTFE; very compact design.

Applications

Special chemical processes; condenser monitoring, also for heavily polluted, e.g. fibrous media, pulp production.

Facts

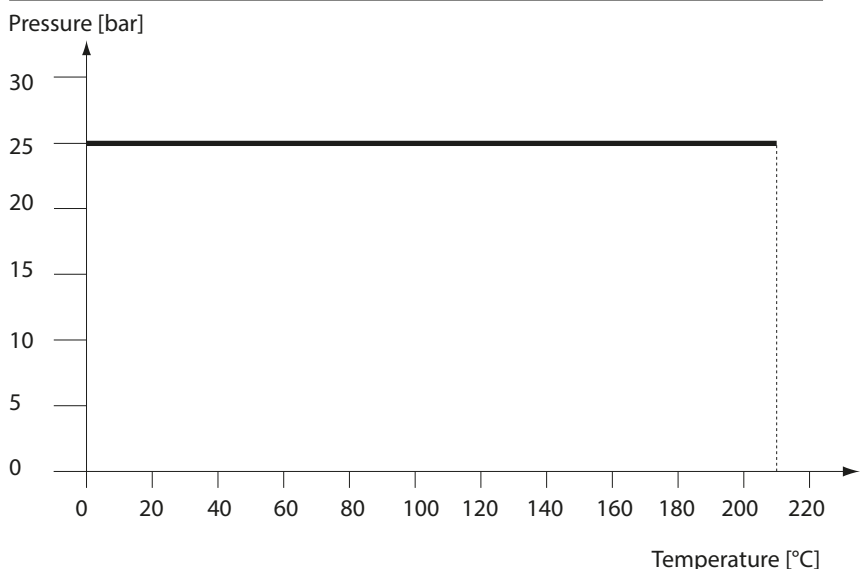
- Large measuring range due to 4-electrode technology
- Measurement at high temperatures and pressures
- High level of process safety due to durable materials and robust design
- Slim, ultracompact design (25 mm diameter)

Specifications

Cell constant ^{*)} :	0,14 ... 0,38 cm (exact value printed on rating plate)
Measuring range:	approx. 0,5 µS/cm ... 600 mS/cm
Material:	Body: PTFE/stainless steel AISI 316 L Elektrodes: stainless steel AISI 316 L
Temperature detector:	Pt 1000 (IEC Class A)
Temperature:	max. 210 °C
Pressure:	max. 25 bar
Process connection:	1" weld nipple (see Accessories)
Cable:	Fixed cable, 5 m

^{*)} Observe instructions for use (field conditions)

Pressure/Temperature Diagram



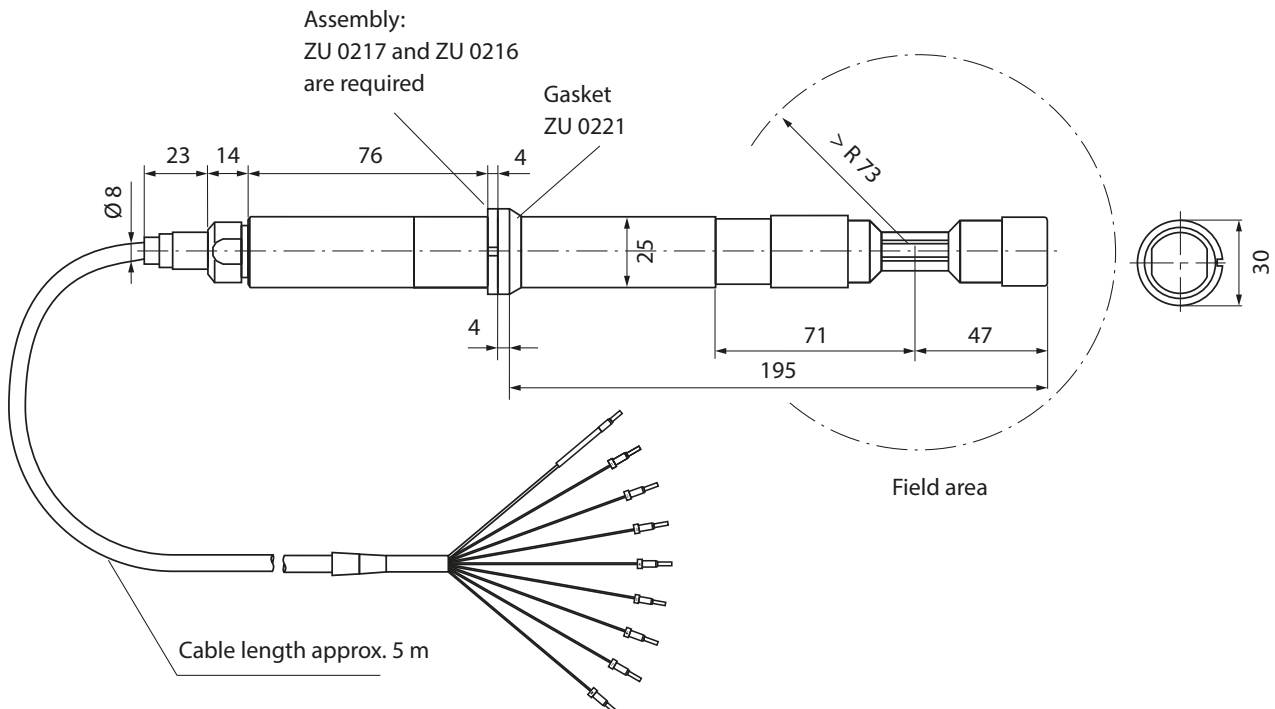
SE 600 Conductivity Sensor

Product Range

Sensor		Order No.
SE 600 conductivity sensor	G 1"	SE 600

Accessories		Order No.
Screw for ZU 0217		ZU 0216
Weld nipple for ZU 0216		ZU 0217
Gasket (spare part)		ZU 0221
Coupling nut		ZU 0222
Conductivity standard	KCl 0,1 mol/l 12,88 mS/cm ± 1,5 % 250 ml	ZU 0348
Calibration Certificate		ZU 0320

Dimension Drawing



All dimensions in mm

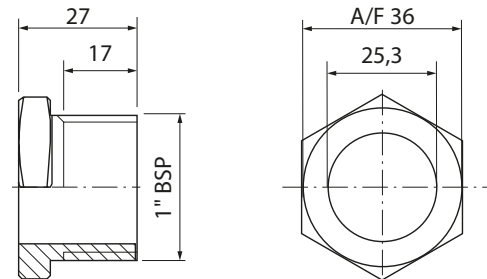
Accessories / Specifications

ZU 0216 screw

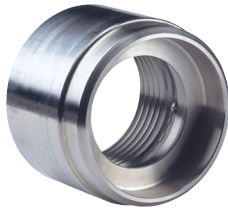


Material: 316 L
 Process connection: 1" BSP for ZU 0217
 Temperature: Max. 210 °C
 Pressure: Max. 40 bar

Dimension drawing:

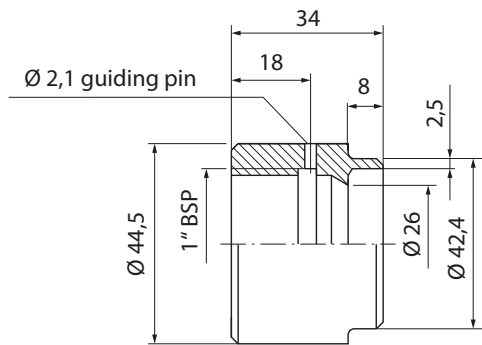


ZU 0217 weld nipple



Material: AISI 316 L
 Process connection: Weld nipple
 Temperature: Max. 210 °C
 Pressure: Max. 40 bar

Dimension drawing:

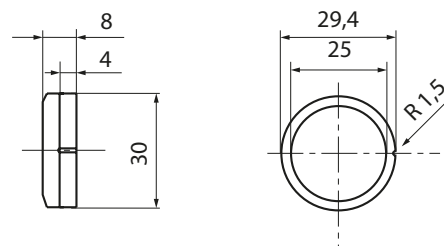


ZU 0221 gasket (spare part)



Material: PTFE

Dimension drawing:



All dimensions in mm

SE 600 Conductivity Sensor

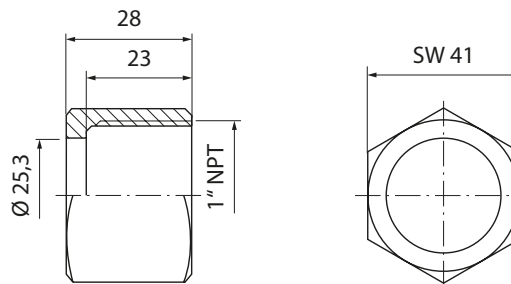
Accessories / Specifications (continued)

Coupling nut for mounting on threaded coupling, ZU 0222

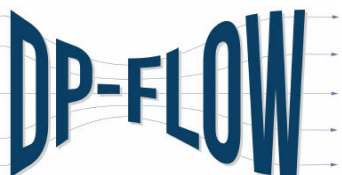
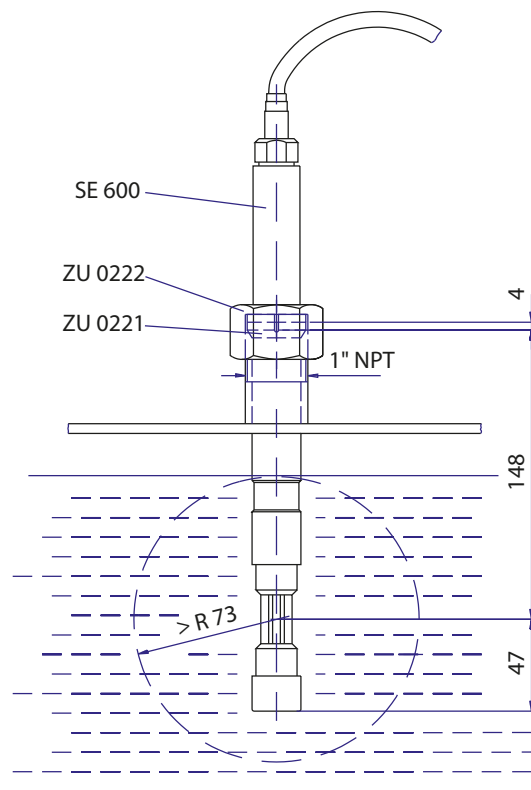
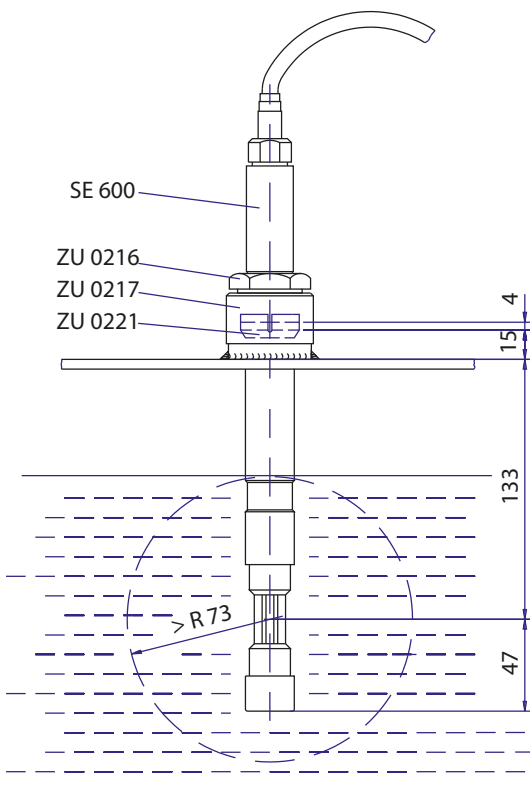
Material: AISI 316 L
 Dimensions: 1" NPT
 Temperature: Max. 210 °C
 Pressure: Max. 40 bar



Dimension drawing:



Typical Assemblies



All dimensions in mm