

DIGITAL Memosens Protocol



SE656(N/X) Toroidal Conductivity Sensor

Universal and precise conductivity sensor with maximum chemical resistance to highly oxidizing media.

Digital with Memosens protocol.

The SE656(N/X) digital toroidal conductivity sensor is a sturdy and corrosion-resistant sensor that, thanks to its high chemical resistance and durability when exposed to aggressive media, is particularly suitable for applications in the chemical industry.

A combination of a large sensor opening and dirt-repellent material prevents blockages and deposits in media with a high pollution degree. The inductive measuring principle enables full galvanic isolation of the measurement from the medium. The sensor is an all-rounder, suitable for a multitude of applications with a range covering six decades. Equipped with Memosens protocol as a digital version, it offers considerable process and data security, and ensures reliable data recording. Also for hazardous areas.

Applications

Concentration measurement, in particular of highly oxidizing acids and bases, online quality monitoring of chemical products in tanks and pipes, phase separation of product mixtures, paper manufacturing (high fiber concentration), heavily soiled media and wastewater, fouling media.

Facts and Features

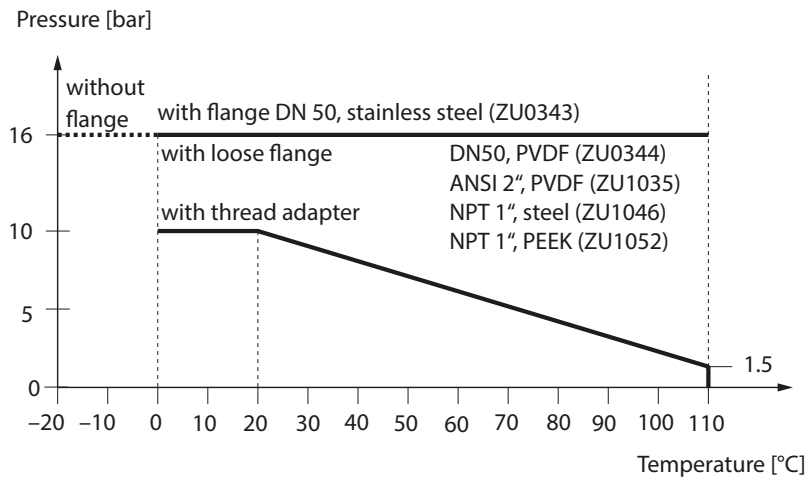
- Process-wetted material: PFA
- Sturdy design
- Resistant to contamination and fouling
- Range of six decades
- Inductive measuring principle, full galvanic isolation of sensor coils from process medium
- Digital with Memosens protocol

Specifications

Cell factor:	1.98/cm (≥30 mm wall clearance)
Measuring range:	0 ... 2,000 mS/cm
Resolution:	0.002 mS/cm
Measurement error (-20 ... +100 °C):	± 0.005 mS/cm + 0.5 % of measured value
Measurement error (>100 °C):	± 0.010 mS/cm + 0.5 % of measured value
Material:	PFA
Temperature detector:	Pt1000 (Class A in acc. with IEC 60751)
Temperature response time t_{90} (DIN 746-1):	approx. 11 min
Process temperature:	-20 ... 110 °C
Ambient temperature:	-20 ... +60 °C
Storage temperature:	-20 ... +80 °C
Relative process pressure:	0 ... 16 bar (see pressure/temperature diagram)
Cable:	Fixed cable, 7 m with ferrules
Protection (EN 60529):	IP 68 (sensor mounted, with original gasket)
Mounting:	G 3/4" (nut A/F 36 and FFKM (Chemraz) gasket included in package contents)
Explosion protection:	see Ex certificates and EU declaration of conformity or www.knick.de

SE656(N/X) Digital Toroidal Conductivity Sensor

Pressure/Temperature Diagram



Product Line

Sensor

Sensor	Protocol	Cable Length	Order no.
SE656N conductivity sensor	Digital, with Memosens protocol	7 m cable	SE656N -GEFTW0KM
SE656N conductivity sensor	Digital, with Memosens protocol, for hazardous areas	7 m cable	SE656X -GEFTW0KM

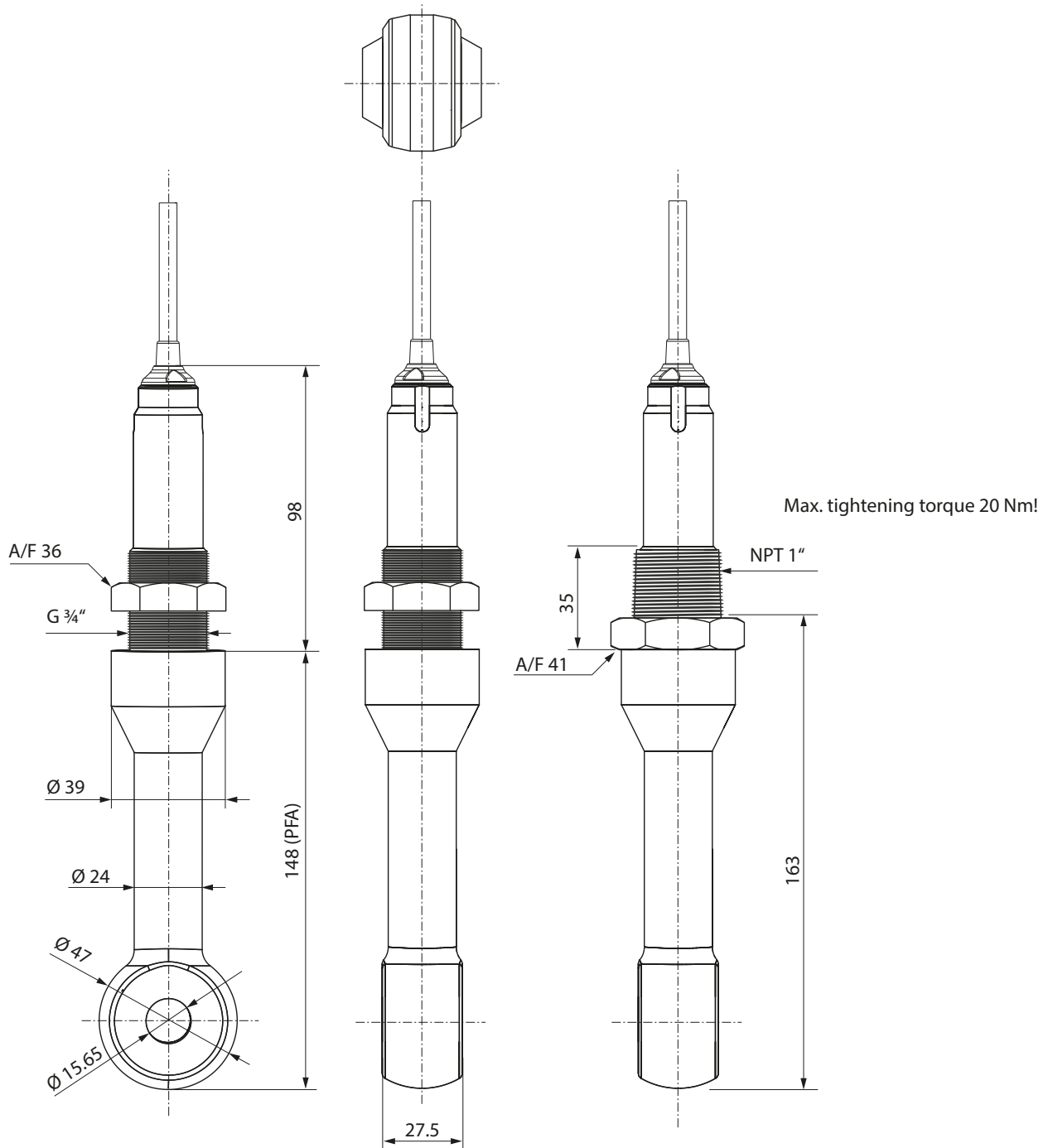
Accessories

Accessory	Material	Order no.
NPT 1" adapter	Material: stainless steel Material: PEEK	ZU1046 ZU1052
Flange DN 50 PN 16 ¹⁾	Material: 316 L	ZU0343
Flange, DN 50 PN 10	Material: PVDF	ZU0344
Flange ANSI 2", 150 lbs	Material: PVDF	ZU1035
Gasket kit B	Nut + FFKM O-ring (1 pc) Replacement for SE 656(N/X)-GEFTW0KM	ZU0341N
Sealing kit C	PTFE washer DN 50 (protects ZU0343 flange against aggressive media)	ZU0342N
O-rings	Material: FKM Material: EPDM-FDA Material: FFKM	O-ring 30x2.5 FKM O-ring 30x2.5 EPDM-FDA O-ring 30x2.5 FFKM
Conductivity standard ²⁾	KCl 0.1 mol/l 12.88 mS/cm ±1.5 % 500 ml	CS-C12880K/500

¹⁾ When measuring in aggressive media, sealing kit C is additionally required

²⁾ Check the user manual (field conditions)

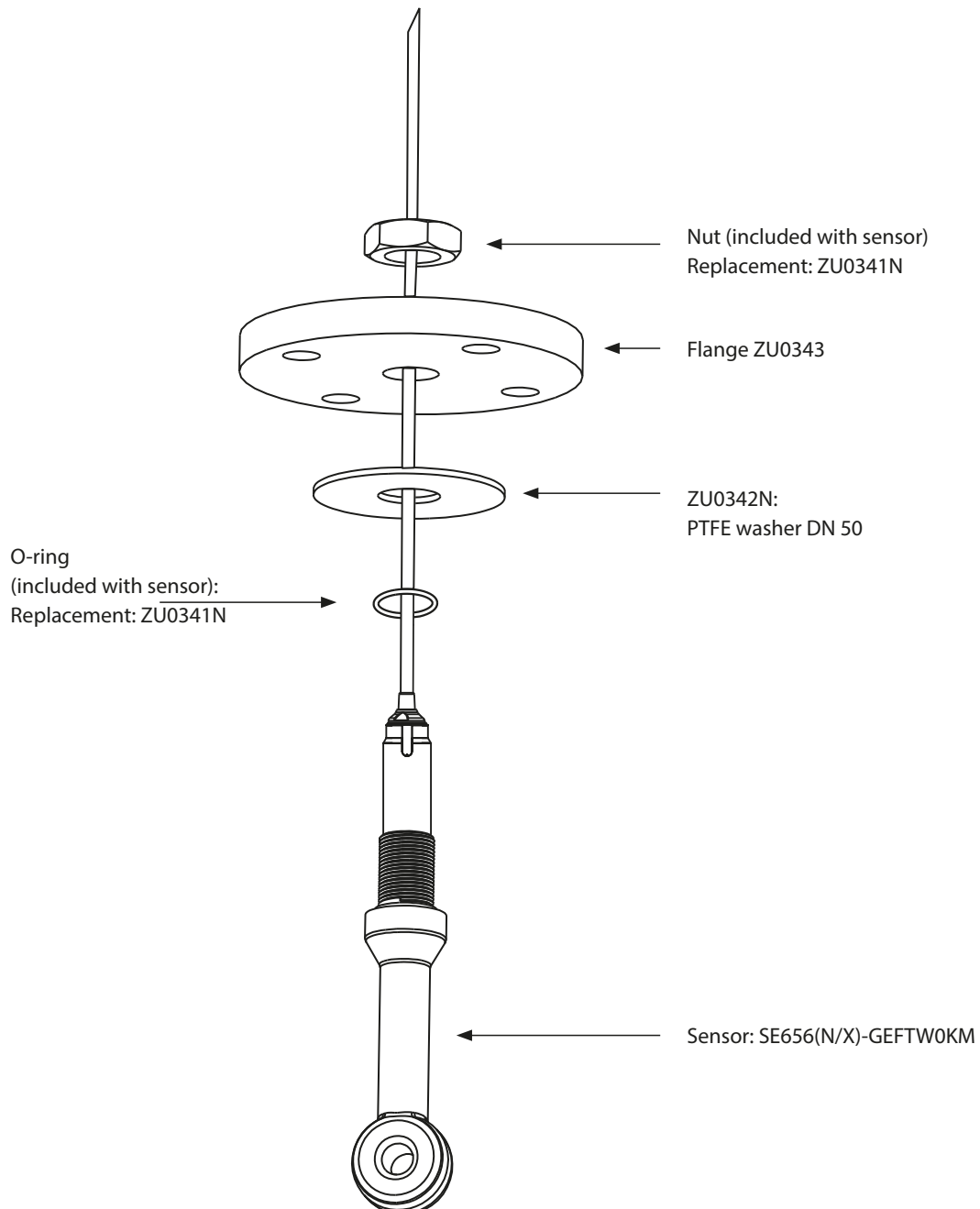
Dimension Drawing



SE656(N/X) Digital Toroidal Conductivity Sensor

Overview of Accessories and Installation

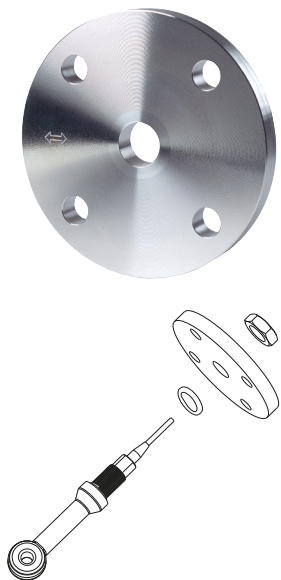
Example: Flange DN 50 stainless steel, with PTFE washer



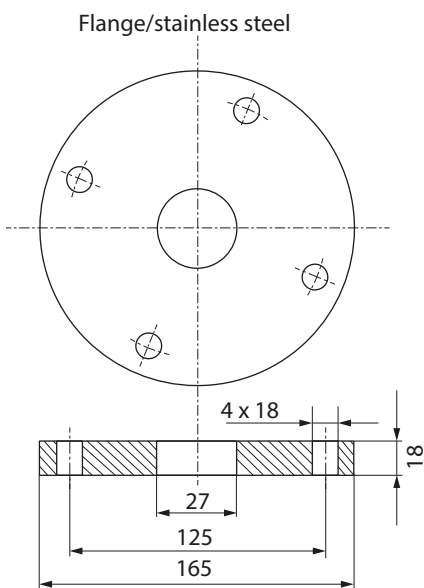
Accessories/Specifications

Flange 316 L
ZU0343

DN 50 PN 16



Dimension drawing:

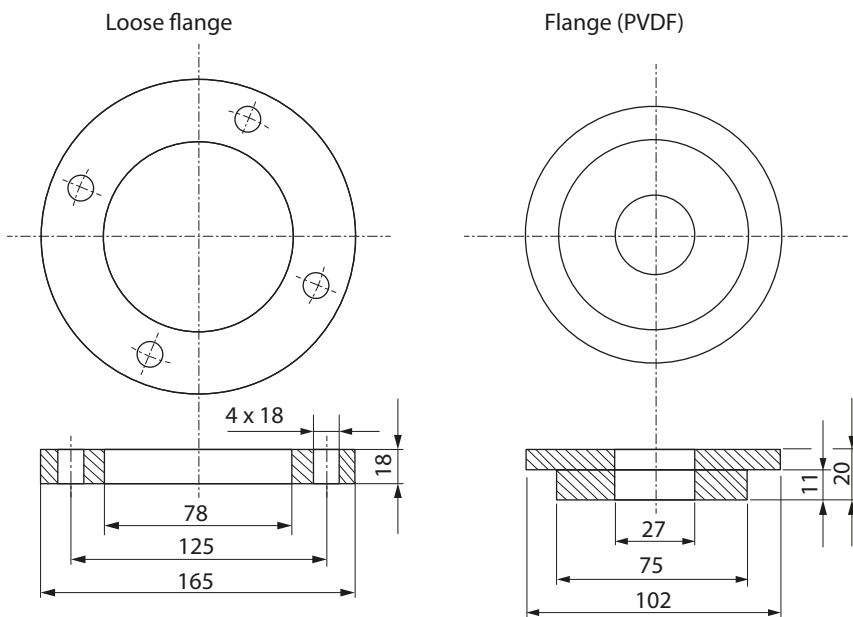


Flange PVDF
ZU0344

DN 50 PN 10



Dimension drawings:

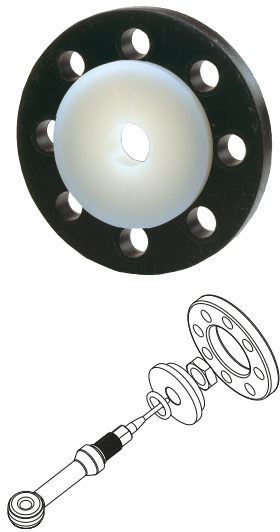


SE656(N/X) Digital Toroidal Conductivity Sensor

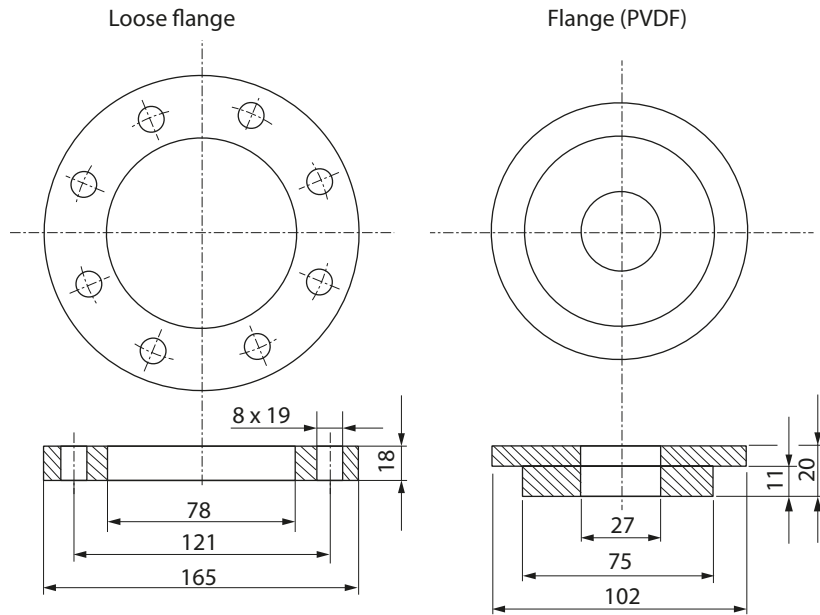
Accessories/Specifications

Flange ANSI 2"
ZU1035

150 lbs



Dimension drawings:



NPT 1" adapter

Stainless steel ZU1046
PEEK ZU1052



Dimension drawing:

